



System Upgrade Guidebook
System-Upgrade-Handbuch
Guide pratique de mise à niveau de système
Systemuitbreidingsgids
Guida per il potenziamento del sistema
Guía de mejora del sistema


Model: **CQ-DX200N**


- For upgrading your system, read this manual carefully before use. This manual should be retained for future reference after read.
- Lesen Sie dieses Handbuch sorgfältig durch, bevor Sie ein System-Upgrade vornehmen. Bewahren Sie dieses Handbuch für späteres Nachschlagen auf.
- Veuillez lire attentivement ce mode d'emploi avant toute utilisation pour faire la mise à niveau du système. Conserver ce manuel dans un endroit sûr pour toute consultation ultérieure.
- Lees deze handleiding zorgvuldig door voor u uw systeem gaat uitbreiden. Bewaar deze handleiding na gebruik zodat u er later nog eens iets in op kunt zoeken.
- Per potenziare il proprio sistema, leggere attentamente questo manuale prima dell'utilizzo. Questo manuale deve essere conservato per poterlo consultare in futuro dopo la lettura.
- Para efectuar la mejora de su sistema, lea detenidamente este manual antes de la utilización. Después de su lectura, deberá guardar este manual para poderlo consultar en el futuro.

Safety Information

- Read the operating instructions for the unit and all other components of your car audio system carefully before using the system. They contain instructions about how to use the system in a safe and effective manner. Panasonic assumes no responsibility for any problems resulting from failure to observe the instructions given in this manual.

- This manual uses pictographs to show you how to use the product safely and to alert you to potential dangers resulting from improper connections and operations. The meanings of the pictographs are explained below. It is important that you fully understand the meanings of the pictographs in order to use this manual and the system properly.

 **Warning** This pictograph intends to alert you to the presence of important operating instructions and installation instructions. Failure to heed the instructions may result in severe injury or death.

 **Caution** This pictograph intends to alert you to the presence of important operating instructions and installation instructions. Failure to heed the instructions may result in injury or material damage.

Warning

Observe the following warnings when using this unit.

- ❑ **The driver should neither watch the display nor operate the system while driving.**
Watching the display or operating the system will distract the driver from looking ahead of the vehicle and can cause accidents. Always stop the vehicle in a safe location and use the parking brake before watching the display or operating the system.
- ❑ **Use the proper power supply.**
This product is designed for operation with a negative grounded 12 V DC battery system. Never operate this product with other battery systems, especially a 24 V DC battery system.
- ❑ **Keep batteries out of reach of infants.**
Batteries can be ingested, so keep them out of the reach of infants. If an infant ingests a battery, please seek immediate medical attention.
- ❑ **Protect the Deck Mechanism.**
Do not insert any foreign objects into the slot of this unit.
- ❑ **Do not disassemble or modify the unit.**
Do not disassemble, modify the unit or attempt to repair the product yourself. If the product needs to be repaired, consult your dealer or an authorized Panasonic Service Centre.
- ❑ **Do not use the unit when it is out of order.**
If the unit is out of order (no power, no sound) or in an abnormal state (has foreign objects in it, is exposed to water, is smoking, or smells), turn it off immediately and consult your dealer.
- ❑ **The remote control unit should not lie about in the car.**
If the remote control unit lies about, it could fall on the floor while driving, get wedged under the brake pedal, and lead to a traffic accident.
- ❑ **Refer fuse replacement to qualified service personnel.**
When the fuse blows out, eliminate the cause and have it replaced with the fuse prescribed for this unit by a qualified service engineer. Incorrect replacement of the fuse may lead to smoke, fire, and damage to the product.

Observe the following warnings when installing.

- ❑ **Disconnect the lead from the negative (–) battery terminal before installation.**
Wiring and installation with the negative (–) battery terminal connected may cause electrical shock and injury due to a short circuit.
Some cars equipped with the electrical safety system have specific procedures of battery terminal disconnection.
FAILURE TO FOLLOW THE PROCEDURE MAY LEAD TO THE UNINTENDED ACTIVATION OF THE ELECTRICAL SAFETY SYSTEM RESULTING IN DAMAGE TO THE VEHICLE AND PERSONAL INJURY OR DEATH.
- ❑ **Never use safety-related components for installation, grounding, and other such functions.**
Do not use safety-related vehicle components (fuel tank, brake, suspension, steering wheel, pedals, airbag, etc.) for wiring or fixing the product or its accessories.
- ❑ **Installing the product on the air bag cover or in a location where it interferes with airbag operation is prohibited.**
- ❑ **Check for piping, gasoline tank, electric wiring, and other items before installing the product.**
If you need to open a hole in the vehicle chassis to attach or wire the product, first check where the wire harness, gasoline tank, and electric wiring are located. Then open the hole from outside if possible.
- ❑ **Never install the product in a location where it interferes with your field of vision.**
- ❑ **Never have the power cord branched to supply other equipment with power.**
- ❑ **After installation and wiring, you should check the normal operation of other electrical equipment.**
The continuation of their using in abnormal conditions may cause fire, electrical shock or a traffic accident.
- ❑ **In the case of installation to an airbag equipped car, confirm warnings and cautions of the vehicle manufacturer before installation.**
- ❑ **Make sure the leads do not interfere with driving or getting in and out of the vehicle.**
- ❑ **Insulate all exposed wires to prevent short circuiting.**

Caution

Observe the following cautions when using this unit.

- ❑ **Keep the sound volume at an appropriate level.**
Keep the volume level low enough to be aware of road and traffic conditions while driving.
- ❑ **This unit is designed for use exclusively in automobiles.**
- ❑ **Do not operate the unit for a prolonged period with the engine turned off.**
Operating the audio system for a long period of time with the engine turned off will drain the battery.
- ❑ **Do not expose the unit to direct sunlight or excessive heat.**
Otherwise these will raise the interior temperature of the unit, and it may lead to smoke, fire, or other damage to the unit.
- ❑ **Do not use the product where it is exposed to water, moisture, or dust.**
Exposure of the unit to water, moisture, or dust may lead to smoke, fire, or other damage to the unit. Make especially sure that the unit does not get wet in car washes or on rainy days.
- ❑ **Set the volume level to low enough before the AUX connection is completed.**
Failure to observe this, the loud noise may come out and damage your speakers and your hearing. Direct connection of the speaker/headphone output of an external device without any attenuator may distort sound or damage the connected external device.

Observe the following cautions when installing.

- ❑ **Refer wiring and installation to qualified service personnel.**
Installation of this unit requires special skills and experience. For maximum safety, have it installed by your dealer. Panasonic is not liable for any problems resulting from your own installation of the unit.
- ❑ **Follow the instructions to install and wire the product.**
Not following the instructions to properly install and wire the product could cause an accident or fire.
- ❑ **Take care not to damage the leads.**
When wiring, take care not to damage the leads. Prevent them from getting caught in the vehicle chassis, screws, and moving parts such as seat rails. Do not scratch, pull, bend or twist the leads. Do not run them near heat sources or place heavy objects on them. If leads must be run over sharp metal edges, protect the leads by winding them with vinyl tape or similar protection.
- ❑ **Use the designated parts and tools for installation.**
Use the supplied or designated parts and appropriate tools to install the product. The use of parts other than those supplied or designated may result in internal damage to the unit. Faulty installation may lead to an accident, a malfunction or fire.

- ❑ **Do not block the air vent or the cooling plate of the unit.**

Blocking these parts will cause the interior of the unit to overheat and will result in fire or other damage.

- ❑ **Do not install the product where it is exposed to strong vibrations or is unstable.**
Avoid slanted or strongly curved surfaces for installation. If the installation is not stable, the unit may fall down while driving and this can lead to an accident or injury.
- ❑ **Installation Angle**
The product should be installed in a horizontal position with the front end up at a convenient angle, but not more than 30°. The user should bear in mind that in some areas there may be restrictions on how and where this unit must be installed. Consult your dealer for further details.
- ❑ **Wear gloves for safety. Make sure that wiring is completed before installation.**
- ❑ **To prevent damage to the unit, do not connect the power connector until the whole wiring is completed.**
- ❑ **Do not connect more than one speaker to one set of speaker leads. (except for connecting to a tweeter)**

Observe the following cautions when handling the battery for the remote control unit.

- Use only specified battery (CR2025).
- Match the polarity of the battery with the (+) and (-) marks in the battery case.
- Replace dead battery as soon as possible.
- Remove the battery from the remote control unit when not using it for an extended period of time.
- Insulate the battery (by placing them in a plastic bag or covering them with vinyl tape) before disposal or storage.
- Dispose of the battery according to the local regulations.
- Do not disassemble, recharge, heat or short the battery. Do not throw a battery into a fire or water.

In case of battery leakage

- Thoroughly wipe the battery liquid off the battery case and insert new battery.
- If any part of your body or clothing comes into contact with battery liquid, wash it with plenty of water.
- If battery liquid comes into contact with your eyes, wash them with plenty of water and get immediate medical attention.

Observe the following cautions when using USB devices.

- Do not connect a USB device directly to this unit. If a device is connected directly to this unit and an accident occurs, or if the brakes are applied suddenly, the driver or passenger may bump into the USB device and may be injured.
- Connect your USB device to your car audio using a standard USB extension cable (5 m or less).
- Position the USB device and USB extension cable so that they do not interfere with your driving.
- Do not connect any USB device other than a USB memory or a USB audio player. Do not connect multiple USB devices to the USB connector. Supplying power to multiple USB devices from the connector could cause overheating and smoking.

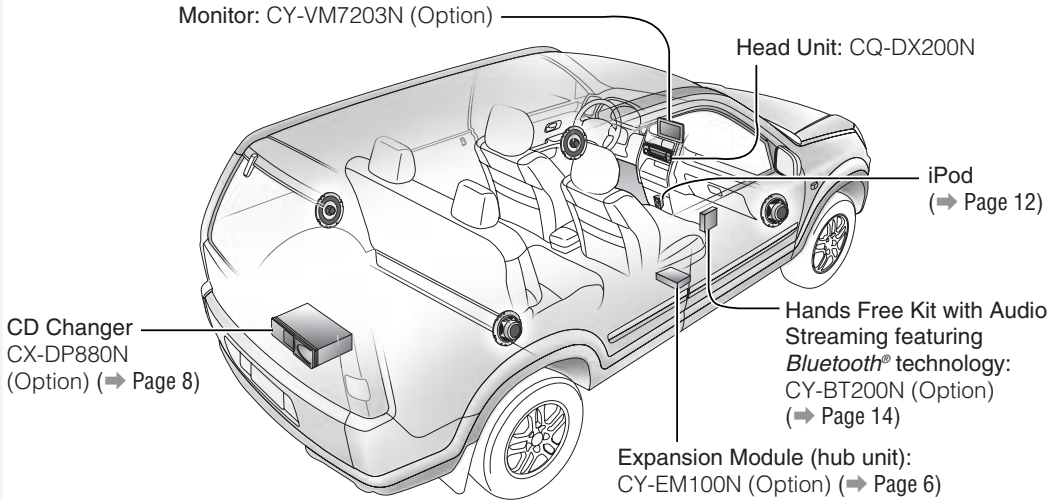
Refer to safety information of optional devices as well.

Before Reading These Instructions

About this Book

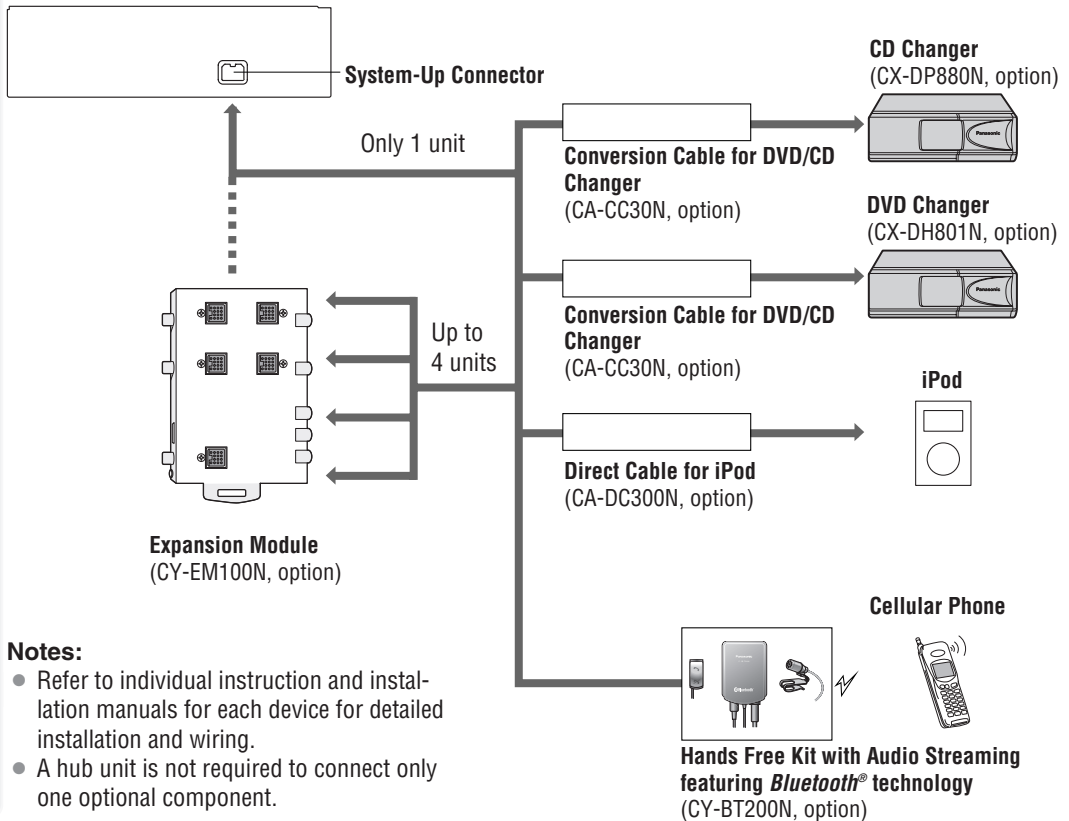
This guide book is an instruction manual that explains how to operate your purchased head unit and its remote control as an accessory when the head unit is connected to optional devices.

(Remote Control Unit → Operating Instructions)



System Upgrade Sample

Head Unit CQ-DX200N



Notes:

- Refer to individual instruction and installation manuals for each device for detailed installation and wiring.
- A hub unit is not required to connect only one optional component.

Contents

English

2

Deutsch	20
Français	38
Nederlands	56
Italiano	74
Español	92

Common

● Safety Information	2
● Before Reading These Instructions	4
● General	6

Each Source

● Disc Changer	8
● iPod Control	12
● Bluetooth	14

As Needed

● Troubleshooting	17
-------------------	----

DVD Changer

The optional adapter (Conversion Cable for DVD/CD Changer: CA-CC30N) allows users to connect the optional Panasonic DVD changer unit (CX-DH801N). For details, refer to the operating instructions for the DVD changer unit. (⇒ page 8, 10)

CD Changer

The optional adapter (Conversion Cable for DVD/CD Changer: CA-CC30N) allows users to connect the optional Panasonic CD changer unit (CX-DP880N). For details, refer to the operating instructions for the CD changer unit. (⇒ page 8)

iPod®

The optional adapter (Direct Cable for iPod: CA-DC300N) allows users to connect the optional iPod series. (⇒ page 12)

The iPod equipped with a dock connector is exclusively connectable. Further information about the controllable iPod is described below.

Controllable iPod/software version

- 3rd generation iPod/ver. 2.3
- 4th generation iPod/ver. 3.1.1
- 5th generation iPod/ver. 1.1.2 (Video playback is not supported.)
- iPod Photo/ver. 1.2.1
- iPod mini/ver. 1.4.1
- iPod nano/ver. 1.2

* Operation check has been completed with software available at the end of October, 2007. We do not guarantee the operation with our future products or upgraded software.

iPod is a trademark of Apple Inc., registered in the U.S. and other countries.

Hands-Free Phone System

You can connect the optional Hands-Free Phone System (Hands Free Kit with Audio Streaming featuring *Bluetooth*® technology: CY-BT200N). For details, refer to the operating instructions for the Hands-Free Phone System. (⇒ page 14)

Note:

- This unit is designed **only for receiving calls**. It cannot send calls.
- CY-BT100N is not supported.

Bluetooth®

The Bluetooth word mark and logo are owned by the Bluetooth SIG, Inc. and any use of such marks by Matsushita Electric Industrial Co.,Ltd. is under license. Other trademarks and trade name are those of their respective owners.

Expansion Module (hub unit)

You can connect the optional Expansion Module (hub unit) (CY-EM100N). Connection of the Expansion Module allows you to simultaneously connect optional devices mentioned before as well as other AV devices. For details, refer to the operating instructions for the Expansion Module.

Connectable devices

- CD changer (max. 1)
- iPod (max. 2)
- Hands-Free Phone System (max. 1)

Note: Market conditions regarding optional devices vary with countries and regions. For further information, consult your dealer.

The source changes as follows every time [SRC] is pressed.



Source Selection (SOURCE)

Radio

FM1, FM2, FM3, AM (LW/MW)
(⇒ Operating Instructions)



Player

CD, MP3/DivX, DVD/VCD (⇒ Operating Instructions)



USB

Device connected to the USB terminal
(⇒ Operating Instructions)



AV IN

Device connected to the AV IN terminal



AUX 1

Device connected to the AUX terminal of the this unit



Bluetooth

Devices connected via Bluetooth (⇒ page 14)



System-Up Connector

Device connected to the System-Up Connector of this unit

When optional devices are connected:

Shift to connected devices

When an expansion module is connected:

The devices connected to the ports 1 to 4 are activated in sequence after shifting to AUX2 (devices connected to the AUX terminal of the expansion module).

When connecting DVD/CD Changer (⇒ page 8, 10)



When connecting iPod (⇒ page 12)



When connecting Expansion Module



Disc Changer (When CDs or MP3 discs are loaded)

Connected an optional CD changer or an optional DVD changer can be controlled by this unit.

1 Load a magazine (discs).

When a magazine is already loaded, press **[SRC]** to select the CD changer mode.

The unit recognizes the magazine and starts playing automatically.



2 Select a desired portion.

Disc selection

[^] (**DISC**): Next disc

[v] (**DISC**): Preceding disc

Folder up/down

Only for DVD Changer

Hold down for 2 sec. or more.

[^] (**FOLDER**): Next folder

[v] (**FOLDER**): Preceding folder

Track/File selection

[>>]: Next track/file

[<<]: Preceding track/file (press twice)

Note: Hold down for fast forward/reverse.



Display Change

Press **[DISP]**.

Track/Play time



Clock Time



Notes:

- When CX-DP880N or CX-DH801N is connected, a CD-RW disc is playable.
- Trouble may occur while playing CD-Rs. Refer to the section on “Notes on CD/CD Media (CD-ROM, CD-R, CD-RW)”.
(→ Operating Instructions)
- This unit does not support the following through the CD changer.
 - **MP3 playback.**

Random, Repeat Play (Disc Changer Menu Display)

(RANDOM, REPEAT)

RANDOM

- **CD-DA**
RANDOM playback of the selected disc (DVD changer)
RANDOM playback of all discs in the magazine (CD changer)
- **MP3 disc**
RANDOM playback of the selected folders

Press [4] (RANDOM).

R▶ lights.

Press [4] (RANDOM) again to cancel.

DISC RANDOM (Only for CD changer)

All the available tracks on the current disc are played in a random sequence.

Hold down [4] (RANDOM) for 2 sec. or more.

DISC R▶ light.

Hold down [4] (RANDOM) again for 2 sec. or more to cancel.

REPEAT

The current track/file is repeated.

Press [6] (REPEAT).

REP lights.

Press [6] (REPEAT) again to cancel.

DISC REPEAT (Only for CD-DA disc)

The current disc is repeated.

Hold down [6] (REPEAT) for 2 sec. or more.

DISC REP light.

Hold down [6] (REPEAT) again for 2 sec. or more to cancel.

FOLDER REPEAT (Only for MP3 disc)

The current folder is repeated.

Hold down [6] (REPEAT) for 2 sec. or more.

DISC REP light.

Hold down [6] (REPEAT) again for 2 sec. or more to cancel.

SCAN play

You can find your favorite file by playing first 10-sec. of each file.

SCAN (CD changer: All tracks, DVD changer: from selected disc)

Press [5] (SCAN). Press again to cancel.

DISC SCAN (1st file in each disc, only for CD changer)

Hold down [5] (SCAN) for 2 sec. or more. Hold down again to cancel.

Functions Only by Remote Control Unit**Direct Access**

A disc can be directly selected.

Example: disc number 5

- 1 Press [GRP].
- 2 Press [5].
- 3 Press [ENTER].



Disc Changer (when DVDs or VCDs are loaded)

Connected an optional DVD changer (CX-DH801N) can be controlled by this unit.

Operation Flow

1 Load a magazine (discs).

When a magazine is already loaded, press **[SRC]** to select the DVD changer mode.

The unit recognizes the magazine and starts playing automatically.

Notes:

- For DVD operations other than the above (i.e. DVD menu, closed caption, etc.), use the remote control unit supplied with the DVD changer.
- The remote control unit supplied with the DVD changer does not work properly when you aim it at this unit.
- When using the remote control unit supplied with the DVD changer, aim it at the monitor display (CY-VM7203N).



2 Select a desired portion.

Disc selection

[^] (DISC): Next disc

[v] (DISC): Preceding disc

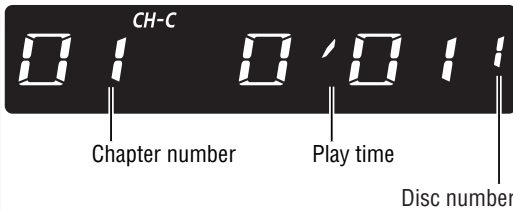
Chapter/Track selection

[▶▶]: Next chapter/Next track

[◀◀]: Preceding chapter/ Preceding track
(press twice)

Note: Hold down for fast forward/reverse.

DVD Changer Mode Display



Display Change

Press **[DISP]**.

Chapter number/Play time



Clock Time



● For a DVD insertion

CHAPTER REPEAT

The current chapter is repeated.

Press **[6] (REPEAT)**.

REP lights.

Press **[6] (REPEAT)** again to cancel.

TITLE REPEAT

The current disc is repeated.

Hold down **[6] (REPEAT)** for 2 sec. or more.

DISC REP light.

Hold down **[6] (REPEAT)** again for 2 sec. or more to cancel.

Note: The unit may not operate for some DVDs.

● For a VCD insertion

REPEAT

The current track is repeated.

Press **[6] (REPEAT)**.

REP lights.

Press **[6] (REPEAT)** again to cancel.

DISC REPEAT

The current disc is repeated.

Hold down **[6] (REPEAT)** for 2 sec. or more.

DISC REP light.

Hold down **[6] (REPEAT)** again for 2 sec. or more to cancel.

Notes:

- The unit may not operate for some VCDs.
- The unit may not operate for a disc with the playback function activated.

Direct Access

A disc can be directly selected.

Example: disc number 5

- 1 Press **[GRP]**.
- 2 Press **[5]**.
- 3 Press **[ENTER]**.



iPod Control

Connection of the optional iPod adapter (Direct cable for iPod) (CA-DC300N) allows users to operate the iPod including file selection and file sequence change with the buttons on this unit.

Operation Flow

- 1 Connect the iPod.
 - 2 Press **[SRC]** to select the iPod mode. Playback starts.
- Note:** If playback does not start, press **[BAND]** (**▶||**).
- 3 Select a desired portion.



File Selection

- [▶▶]:** Next file
[◀◀]: Beginning of the current file
For the previous file, press twice.

Note: Hold down for fast forward/reverse.

Pause

- Press **[BAND]** (**▶||**).
Press again to cancel.

Playing Mode selection

The type with which playback data is classified is selectable.

- 1 Press **[^]** (**LIST**) to call up the play mode selection screen.
- 2 Turn **[VOL]** to select the play mode.

PLAYLIST: Playback by playlist

ARTIST: Playback by artist

ALBUM: Playback by album

For using the remote control, use **[^]** or **[V]**.

Notes:

- When the **[<]** button is pressed, the regular screen appears.
- Displayable length of playlist/artist/album name: within 8 characters (Otherwise, it cannot be displayed completely at the above playing mode.)

- 3 Press **[PUSH SEL]** to determine the selection.
For using the remote control, use **[BAND]** (**SET**).



- 4 Turn **[VOL]** to select the portion to play.

Notes:

- For selecting ARTIST, the ALBUM selection screen appears after selecting an artist name.
- When the **[<]** button is pressed, the previous screen appears.

- 5 Press **[PUSH SEL]** to determine the selection.

For using the remote control, use **[BAND]** (**SET**).

Note: Files without an album name or an artist name are not playable in the playing mode of the album or artist display respectively.

Notes:

The iPod equipped with a dock connector is exclusively connectable. Further information about the controllable iPod is described below.

- Controllable iPod/software version
 - 3rd generation iPod/ver. 2.3
 - 4th generation iPod/ver. 3.1.1
 - 5th generation iPod/ver. 1.1.2 (Video playback is not supported.)
 - iPod Photo/ver. 1.2.1
 - iPod mini/ver. 1.4.1
 - iPod nano/ver. 1.2

* Operation check has been completed with software available at the end of October, 2007. We do not guarantee the operation with our future products or upgraded software.

- The shuffle function of iPod corresponds to the RANDOM function of this unit.
- Please make sure to detach the iPod after turning off the car engine (turning the ACC to OFF). The iPod may not shut down while still connected, which may result in battery depletion.
- Please do not connect iPod accessories such as an iPod remote control or headphones while connecting iPod with the unit. The unit may not operate correctly.
- Connect this unit after turning down the volume of the iPod.
- "PAUSE" appears until the iPod is recognized after connecting the iPod, turning on the power of the main unit, or performing source selection on the main unit side. This indicates there is nothing wrong with the main unit.
- We do not guarantee all the operations of connectable devices.

iPod Mode Display

**Display Change**

Press **[DISP]**.

File



Play time



Title



Album



Artist



Repeat, Shuffle Play

Repeat Play

The current file is repeated.

Press **[6] (REPEAT)**.

REP lights.

Press again to cancel.

Note: All files are played back even at REPEAT-off setting. (ALL REPEAT)

Shuffle

The shuffle function of iPod corresponds to the RANDOM function of this unit.

Songs

All the available files are played in a random sequence.

Press **[4] (RANDOM)**.

R▶ lights.

Albums

All the available albums are played in a random sequence.

Hold down **[4] (RANDOM)** for 2 sec. or more.

R▶ blinks.

Hold down again to cancel.

Please read the operating instructions for the related devices as well before use.

- 1 Establish pairing. (→ next page)
Please read the instructions for the devices to be connected as well.
- 2 Press [SRC] to select the Bluetooth mode.
- 3 Select the BT HF mode/BT AUDIO mode.
[^]: Hands-free phone system (BT HF mode)
[v]: Audio system (BT AUDIO mode)

Note: If the target device cannot be detected, “NO PHONE” or “NO AUDIO” appears.



Display Change

Press [DISP].

The connected device name



Clock time



Note: If the target device name is unknown, “BT AUDIO” or “BT HF” appears.

Note: Some audio devices may be inoperable.

Track selection

[▶▶] (TRACK): Next track

[◀◀] (TRACK): Preceding track (press twice)

Note: Hold down for fast forward/reverse.

Pause

Press [BAND] (▶||).

Press again to cancel.



Notes:

- This unit is not operable when receiving a call at power-off setting.
- We do not guarantee all the operations of connectable devices.

Pick up the phone.

Pressing [**Hang-on**] allows users to pick up the phone during a call incoming.

Note: Pressing any of the preset buttons from [**1**] to [**6**] and [**BAND**] allows users to pick up the phone, too.

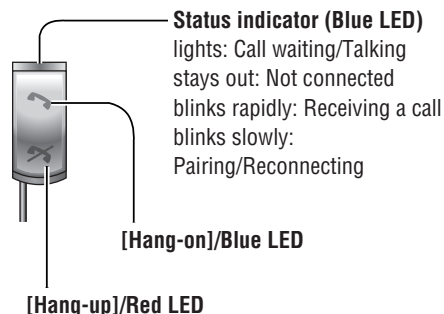
Hang up the phone.

Pressing [**Hang-up**] allows users to hang up the phone during a call.

Speaker switchover

The speaker from which the voice of the other side of the line comes out changes every time [**BAND**] is pressed.

PRIVATE: Output from the mobile phone
HANDS-FREE TALK: Output from the speaker

Switch unit**Call with use of the call register**

- 1 Select your target telephone number.
[<]: Newer register
[>]: Older register
- 2 Press [**BAND**] to make a call.

Notes:

- Up to latest 5 calls can be stored in the register.
- If the incoming call number is unknown, "UNKNOWN" appears.
- Pressing [**3**] (**SCROLL**) allows users to scroll the incoming call number during display of the number.

Note: This setting is feasible only during a call incoming or a call.

- 1 Press [**PUSH SEL: SELECT**] to display the AUDIO menu display.
For using the remote control, use [**BAND**] (**SET**).
- 2 Press [**PUSH SEL: SELECT**] to select a mode to be adjusted.
For using the remote control, use [**BAND**] (**SET**).
- 3 Turn [**VOL**] clockwise or counterclockwise to adjust.
For using the remote control, use [**▲**] or [**▼**].

Note: If no operation takes place for 10 sec. or more in the audio menu (2 sec. in Main volume adjustment), the display returns to the regular mode.

VOLUME

Main volume adjustment

(Setting range: 0 to 40, Default: 15)

- ① : Up
- ② : Down

Hands-Free SPEAKER

Speaker selection

- ↑ **LEFT**: Sound from left speaker
- ② ↓ **BOTH**: Sound from both speakers (default)
- ① ↓ **RIGHT**: Sound from right speaker

Note: Sound comes only from the front speakers.

Echo canceller

- ① : EC HIGH (significant echo suppression)
- ② : EC LOW (echo suppression, default)

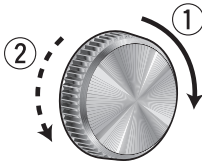
Notes:

- This setting is feasible only in the Bluetooth mode.
- Each item can be set in the BT HF mode and BT AUDIO mode independently.

1 Hold down [VOL-
UME] (PUSH SEL:
SELECT) for 2
sec.or more.



2 Press [PUSH SEL:
SELECT] to select a
mode to be adjusted.
For using the remote
control, use [SEL].



3 Perform each set-
ting.

PAIRING

Establishment of pairing with the devices to be connected

Note: This is displayed only when no information about the connected devices last time exists.

Press [BAND].

Notes:

- To cancel the operation, press [BAND].
- When pairing is successfully established, “*** CON-
NECTED” appears. (***) indicates the device name.)
- When pairing is not successfully established, “PAIR
ERR” appears.
- If 2 minutes elapse before pairing establishment,
“TIME OUT” appears.

PINCODE

The PIN code of the device with which pairing is established shall be entered. (default: 0000)

Note: This is displayed only when no information about the connected devices last time exists.

- 1** Use [←], [→], [^] and [v] for PIN code entry.
- 2** Press [BAND] to determine the entry.

Note: The buttons from [0] to [9] on the remote control are also available for PIN code entry.

****/CONNECT

Establishment of pairing with the devices last time connected

Notes:

- This is displayed only when pairing is not established with the connected devices last time.
- *** indicates the device name with connection information.

Press [BAND].

Notes:

- To cancel the operation, press [BAND].
- When pairing is successfully established, “*** CON-
NECTED” appears. (***) indicates the device name.)
- If 2 minutes elapse before pairing establishment,
“ERROR” appears.

****/DISCONNECT

Cancellation of pairing with the devices currently connected

Notes:

- This is displayed only when pairing is successfully established.
- *** indicates the name of the connected device.

Press [BAND].

Notes:

- To cancel the operation, press [BAND].
- When pairing is successfully canceled, “*** DISCON-
NECTED” appears. (***) indicates the device name.)
- If 2 minutes elapse before pairing cancellation,
“ERROR” appears.

NEW PAIR

Establishment of new pairing

Note: This is displayed only when information about the connected devices last time exists.

Press [BAND].

DELETE

Deletion of information about the connected device last time

Note: This is displayed only when information about the connected devices last time exists.

Press [BAND].

Note: When information is successfully deleted, “DELETED” appears.

Troubleshooting

If You Suspect Something Wrong







Check and take steps as described below.

If the described suggestions do not solve the problem, it is recommended to take the unit to your nearest authorized Panasonic Service Centre. The product should be serviced only by qualified personnel. Please refer the check and repair to professionals. Panasonic shall not be liable for any accidents arising out of neglect of checking the unit or your own repair after your checking.

Never take measures especially for those other than indicated by *italic* letters in "Possible Solution" described below because those are too dangerous for users to handle themselves.

Warning

- Do not use the unit in an irregular condition, for example, without sound, or with smoke or a foul smell, which can cause ignition or electric shock. Immediately stop using the unit and consult your dealer.
- Never try to repair the unit by yourself because it is dangerous to do so.

Display	Possible cause → Possible solution
  (After 5 seconds) To next disc automatically	<p>The disc is dirty, or is upside down.</p> <p>The disc has scratches. → <i>Eject the magazine.</i></p> <ul style="list-style-type: none"> • Check the disc. • Load the disc again.
	<p>No operation by some cause. → <i>Eject the magazine. If failure persists, press the reset switch on the disc changer. If normal operation is not restored, consult your dealer or the nearest Panasonic Service Centre to ask for repairs.</i></p>
	<p>An error arises in the DVD changer. → <i>Check the DVD changer. ("REGION ERROR" etc.)</i></p>
	<p>No disc is in the CD changer (magazine). → <i>Insert discs into the changer (magazine).</i></p>
	<p>The changer has become disconnected from the unit in the changer mode. → <i>Verify the wiring.</i></p>

Note: Messages in the possible solution and display sections of the error chart vary with changers. Refer to the operating instructions for the Disc changer for details.

DISC Changer

English

Bluetooth

Troubleshooting

Troubleshooting (continued)

	Display	Possible cause → Possible solution
iPod Control	NO IPOD	The iPod cable was disconnected in the iPod mode. → Reconnect the iPod cable.
	NO ^{iPod} SONGS	Your iPod has no playable music. → Download playable music to your iPod.
Bluetooth	NO BT	No device to be connected detected. → Check whether the power of the device to be connected is turned on.
	TIME OUT	Two (2) minutes elapse before pairing establishment. → Establish pairing again after checking the device to be connected.
	PAIR ERR	An error occurrence during pairing establishment. → Check whether the device to be connected is compatible with this unit. → Check whether the entered PIN code is correct.
	ERROR	Pairing establishment/cancellation failure due to an error of unknown cause. → Check the device to be connected. → Check whether the device to be connected is compatible with this unit.

Matsushita Electric Industrial Co., Ltd.
Web Site : <http://panasonic.net>

YFM264C054CA

NY1107-1127

Printed in China