

Quick Start Guide

Home Theater Audio System SC-HTB20

Panasonic

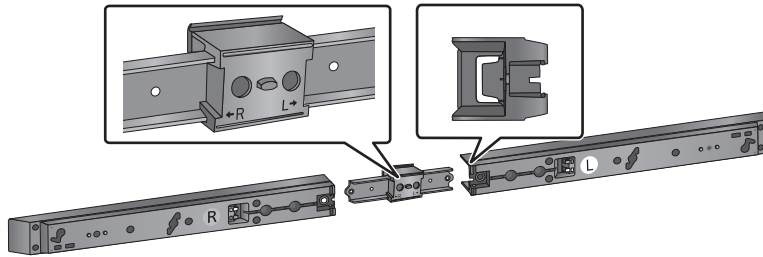
Step 1: Choose in the configuration that is right for you

Place the speakers horizontally

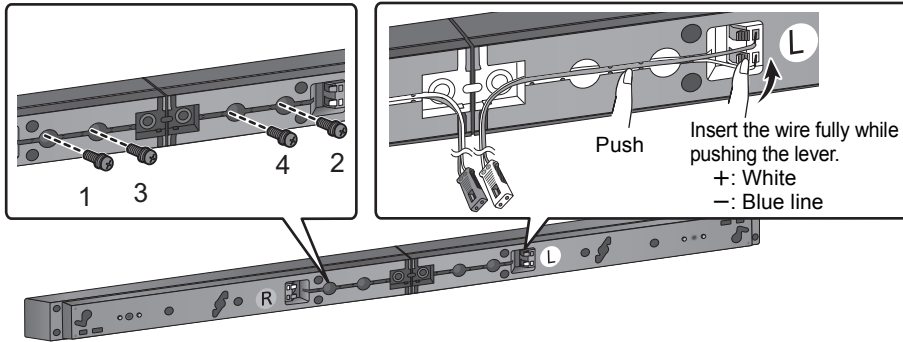
To prevent damage or scratches, lay down a soft cloth and perform the assembly on it.



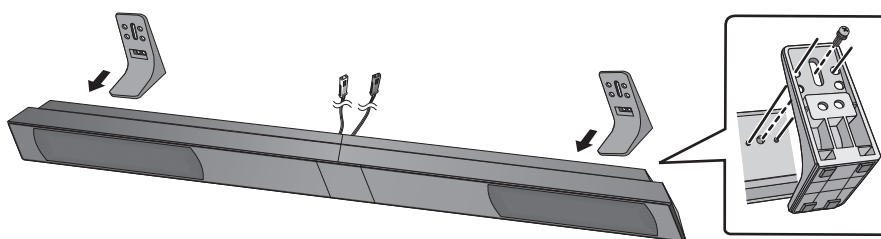
1



2



3

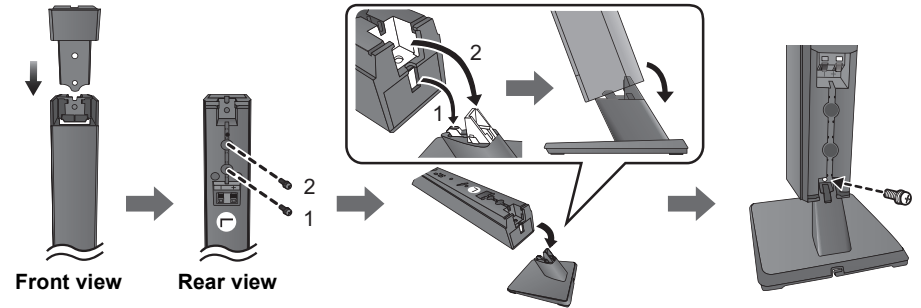


Place the speakers vertically

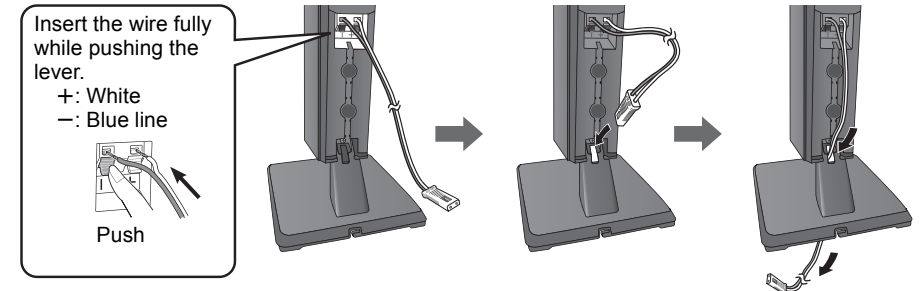
To prevent damage or scratches, lay down a soft cloth and perform the assembly on it.



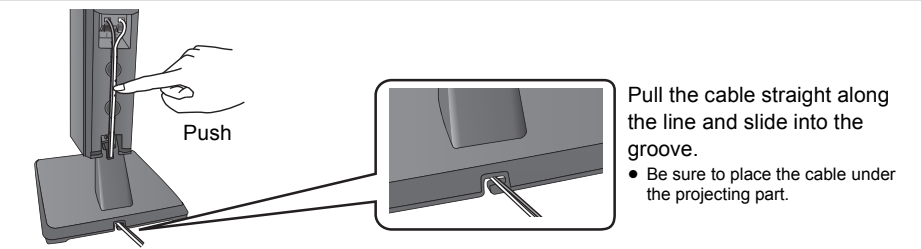
1



2



3

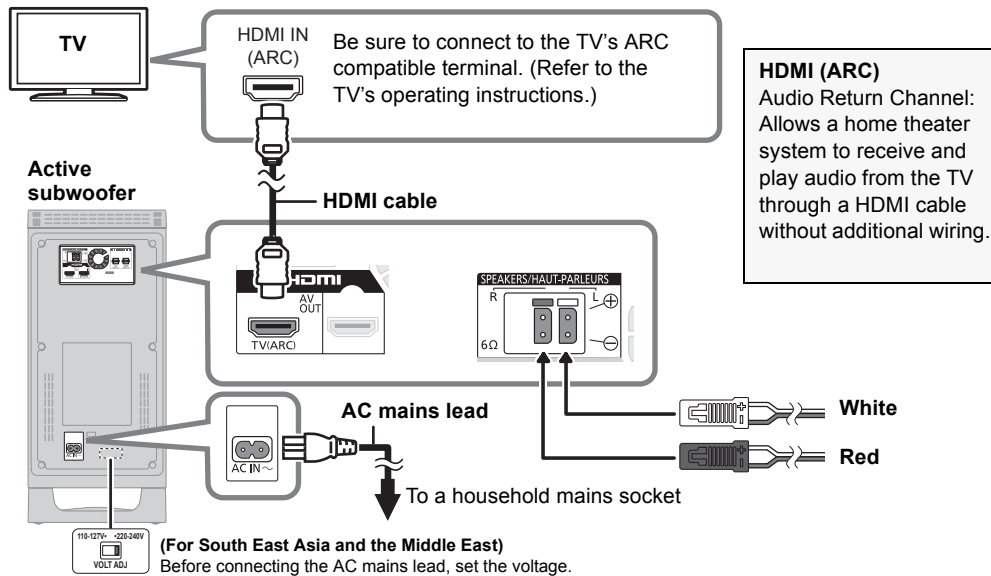


- Place the speaker that is connected with the speaker cable with a red connector on the observers' right, and connect with the speaker cable with a white connector on the observers' left.

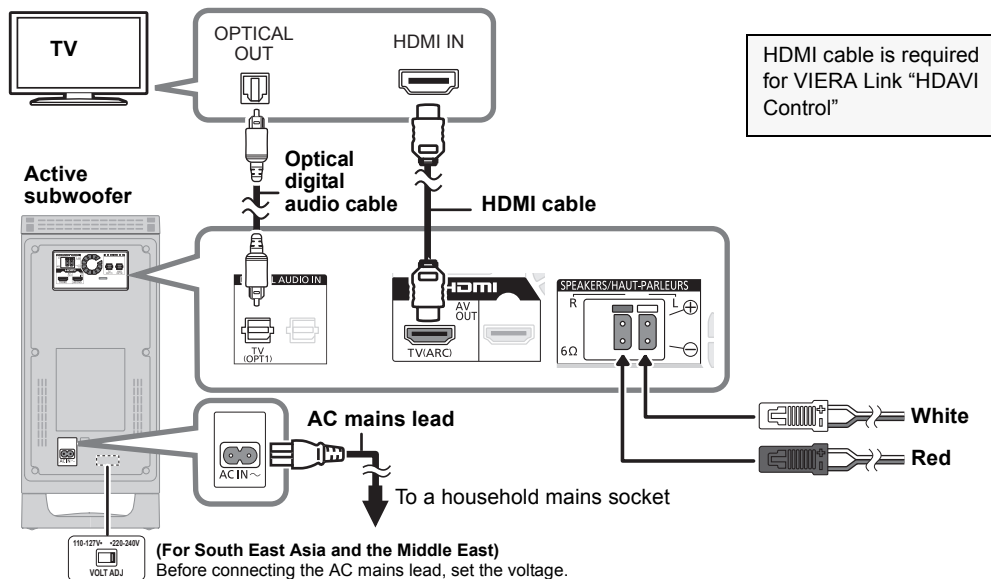
Step 2: Connect the cables

Do not connect the AC mains lead to the active subwoofer until all other connections are complete.

When the TV is HDMI (ARC) compatible

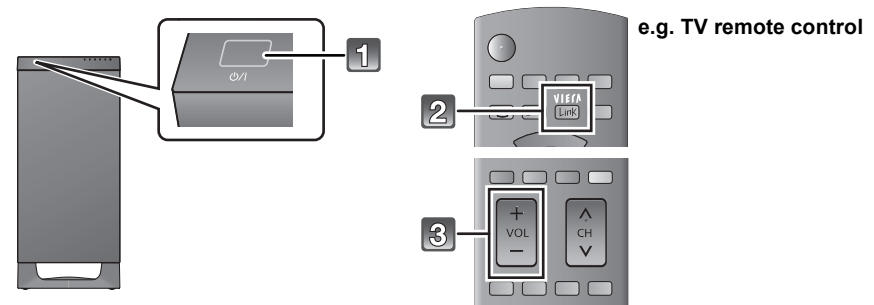


When the TV is non HDMI (ARC) compatible



Using this unit

When the TV is VIERA Link "HDAVI Control™" or HDMI CEC compatible



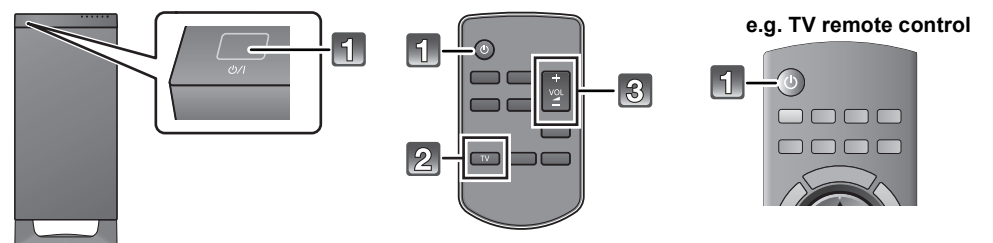
- 1 Turn on the active subwoofer.
- 2 Turn on the TV, and select this home theater system as the TV's speakers from the VIERA Link menu.

• If the TV is not a Panasonic TV, set the "Receiver" or "External speakers" to "On".

- 3 Press [+ VOL -] on the TV's remote control to adjust the volume.

※ Operation with other manufacturers' equipment that supports HDMI CEC cannot be guaranteed.
• For details about VIERA Link (HDMI), refer to page 24 of the operating instructions.

When the TV is not VIERA Link "HDAVI Control™" or HDMI CEC compatible



- 1 Turn on the active subwoofer and the TV.
- 2 Press [TV] to select the TV sound.
- 3 Press [+ VOL -] to adjust the volume.

• If there is sound from the TV's speakers too, then use the TV's remote control to lower the volume to minimum.

For wall mounting and other details, be sure to refer to the operating instructions.